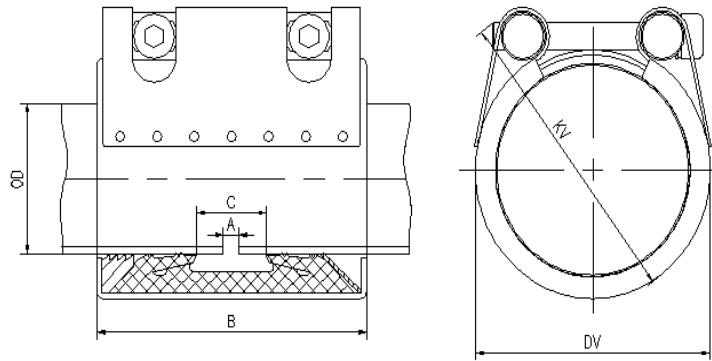


BEIJING GRIP PIPE TECH CO., LTD.



GRIP-GTG (COMBI-GRIP)										
Pipe outside diameter		Clamping range	Working pressure		Width	Distance between sealing slips	Setting gap between pipe ends		Torque rate	Bolt
O.D.	Min-Max		B	C	A without strip insert	with strip insert				
(mm)	(In.)	Plastic/Metal (mm)	(bar)	(bar)	(mm)	(mm)	(mm)	(mm)	(Nm)	M
32/33.7	1.260	31-33/32-35	10	16	61	26	0~5	5	10	M6X2
40/42.4	1.575	39-41/41-43	10	16	61	26	0~5	5	15	M8×2
50/48.3	1.969	49-51/47-49	10	16	61	26	0~5	10	15	
63/60.3	2.480	62-64/59-61	10	16	76	37	0~5	10	20	
75/76.1	2.953	74-76/75-77	10	16	95	41	0~5	10	25	M8×2
90/88.9	3.543	89-91/88-90	10	16	95	41	0~5	10	25	
110/108	4.331	109-111.5/106-109	10	16	95	41	5~10	15	25	
125/127	4.921	124-126.5/126-128	10	16	110	54	5~10	15	60	M10X2
140/139.7	5.512	139-142/138-142	10	16	110	54	5~10	15	60	
160/159	6.299	159-162/158-161	10	16	110	54	5~10	25	90	
180/180	7.078	179-182/179-182	10	16	142	80	5~10	25	90	M12×2
200/200	7.874	199-202/198-202	10	16	142	80	5~10	25	90	